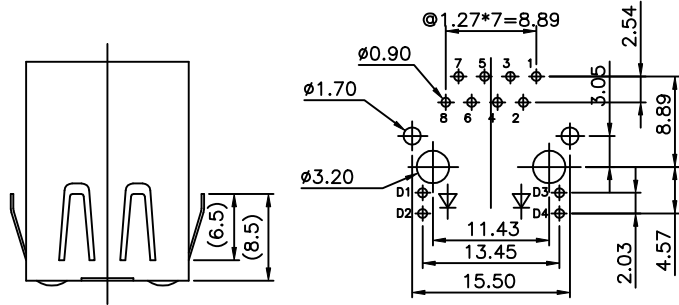


REVISION RECORD				
REV	ECO	DESCRIPTION	DRFT	CHKD
△	5	ADD NEW P/N	SWEEP	12/27/05



**NOTES:**

1. RJ45 10/100 Base-Tx Transformer Jack With Transformer/ Impedance Resistor/High Voltage Capacitor.
2. Size Same As RJ-45 Modular Jack To Save PCB Board Space.
3. Reduce EMI Radiation, Improve EMI Performance.
4. Designed For Network Interface Card Application.
5. Designed To Meet IEEE 802.3u Requirement.
6. Designed For 100 Base Transmission over UTP-5 Cable.

**Electrical Specification:**

1. Inductance At 100 KHZ, 100 mV DC Bias: 350 uH MIN
2. C W/W (PF MAX): 28 PF
3. Leakage Inductance At 100 KHZ DC 100 mV: 0.3 uH MAX
4. Insertion Loss: 1.0 dB MAX @ 1-80 MHZ  
1.2 dB MAX @ 100 MHZ
5. Return Loss: 14 dB MIN @ 1-60 MHZ  
10 dB MIN @ 60-100 MHZ
6. Cross Talk: 35 dB MIN @ 1-80 MHZ
7. ISOLATION VOLTAGE @60HZ:1500Vrms(INPUT TO OUTPUT) 60SEC.

**Mechanical:**

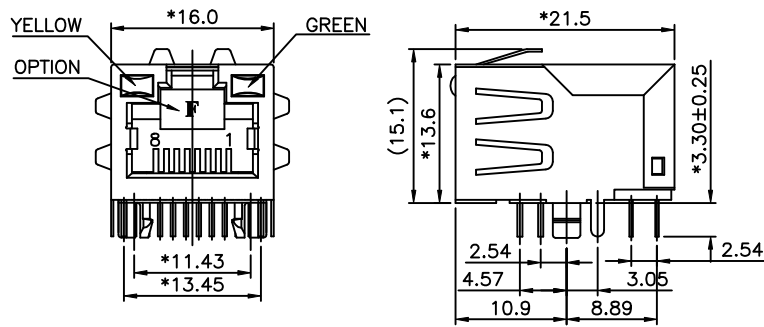
1. Housing Material : NYLON+30%.G.F(FR52) UL94V-0
2. Insert Material : NYLON+25%.G.F(FR50) UL94V-0
2. Contact Material △ : Phosphor Bronze t=0.35mm.
3. Plating : 1: Contact Area- Selective Gold Plating. △  
2: Tails Tin Over Nickel. △
4. Operating Life : 750 Cycles Min.
5. Pcb Retention Pre-Solder : 1 Lb Min.
6. Pcb Retention Post-Solder : 10 Lbs Min.
7. Shiled Material : 0.25mm Thickness Brass(C2680 H) △

**Environmental:**

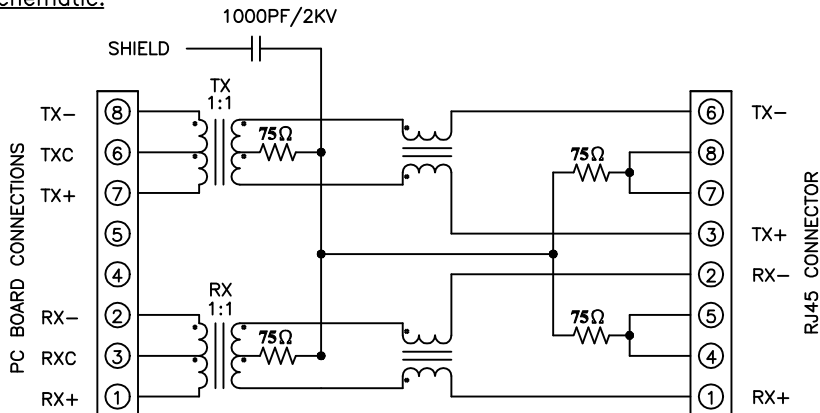
1. Storage : -40°c To+85°c.
2. Operation : 0°c To+70°c.
3. Wave Soldering Temperature: 255~265°C (5~10 SECONDS)

Mates With Modular Plug Conforming To Fcc Part 68, Subpart F.

Part Number: E5TAB-XXK5XX-L  
 P4-W/TOP&SIDE TABS GOLD Plating:  
 △ P5-W/TOP TABS 1-3u" 2-6u" 3-15u"  
 0-W/O "F" LOGO 4-30u" 5-50u"  
 1-W/"F" LOGO



**Schematic:**



(TYPICAL FOR EACH PORT)



DETACHED LISTS	MM (INCH)	DFTO SWEEP	DATE 06/28/05'	FULL RISE ELECTRONIC CO., LTD	
	TOLERANCES EXCEPT AS NOTED	CHKD TIRRY	DATE 2005/12/28		
	MM	MFO	DATE		
	APPV LARTHUR	DATE 2005/12/28			
MM	±	MATERIAL :		TITLE	
.0 ±0.20	±	QT'Y :		DRAWING NO. GE5T3292-LB	
.00 ±0.15	±	FINISH :		/PART NO. SEE NOTE	
.000 ±0.075	±	SCALE : 2:1		SIZE REV	
ANGLES ±	THIRD ANGLE PROJECTION		DO NOT SCALE DRAWING		A3 1
			SHEET 1		12/27/05